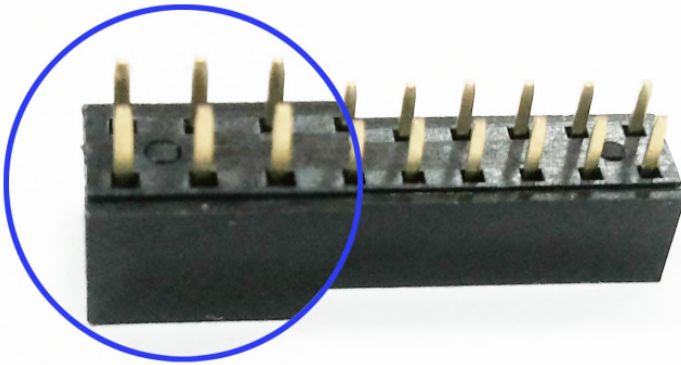
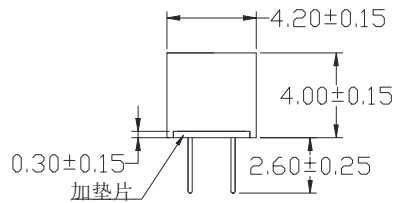
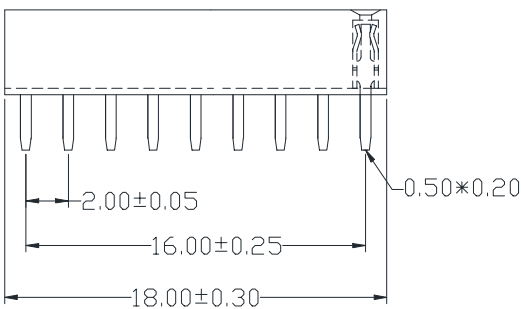
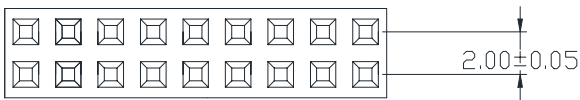


2.0 Female Header



SPECIFICATIONS



- Current Rating: 2 Amps
- Insulator resistance: 3000 Megohms Min.
- Dielectric withstanding: AC 500 V
- Operation Temperature: -40; 0 - +105; 0
- Contact Material: Phosphor Bronze
- Insulator Material: Nylon-6T UL94V-0
- Color: Black
- Finish: Gold flash

