

2.54mm



SPECIFICATIONS

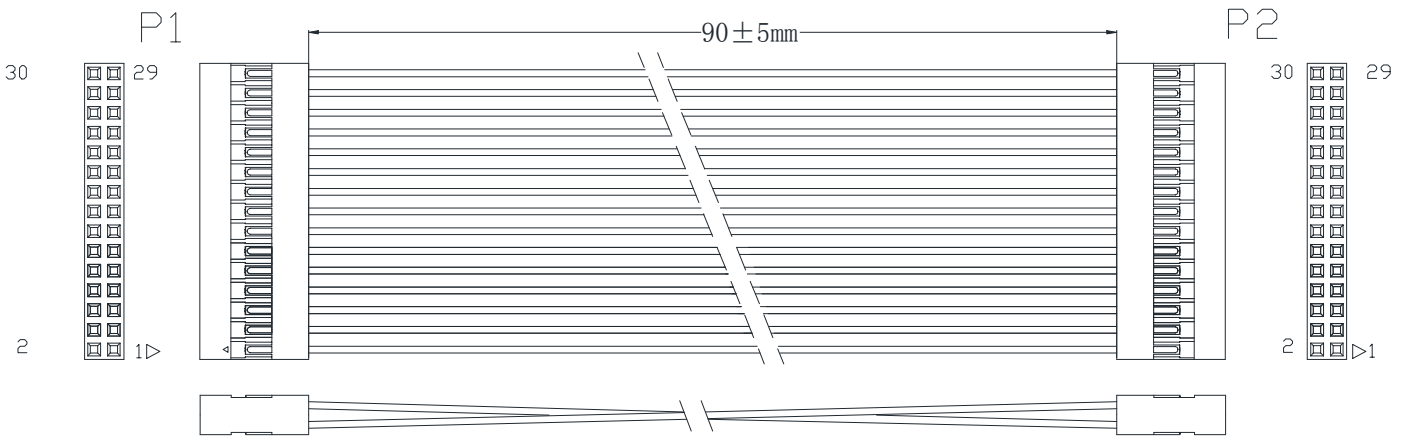
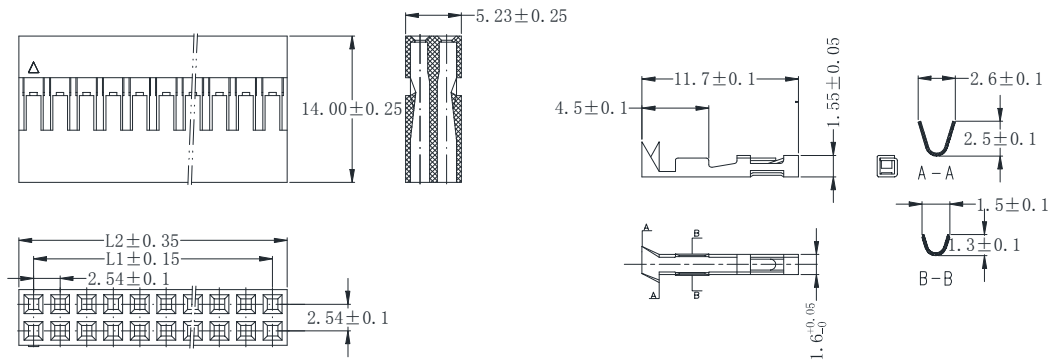
Insulation Material:

NY66

Color: Black

Material: Phosphor bronze

Finish: Tin plated



H 2 5 4 6 - S X X B

Number of Contact

Color