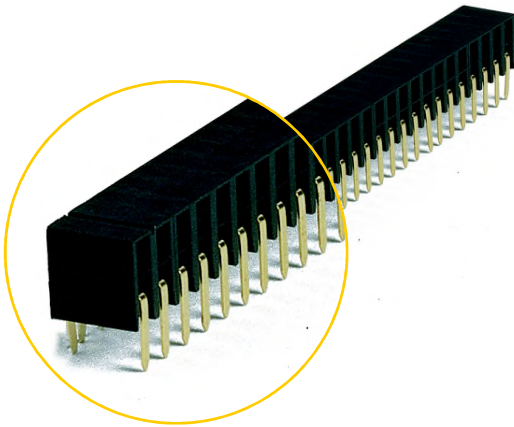


# 2.0 Series

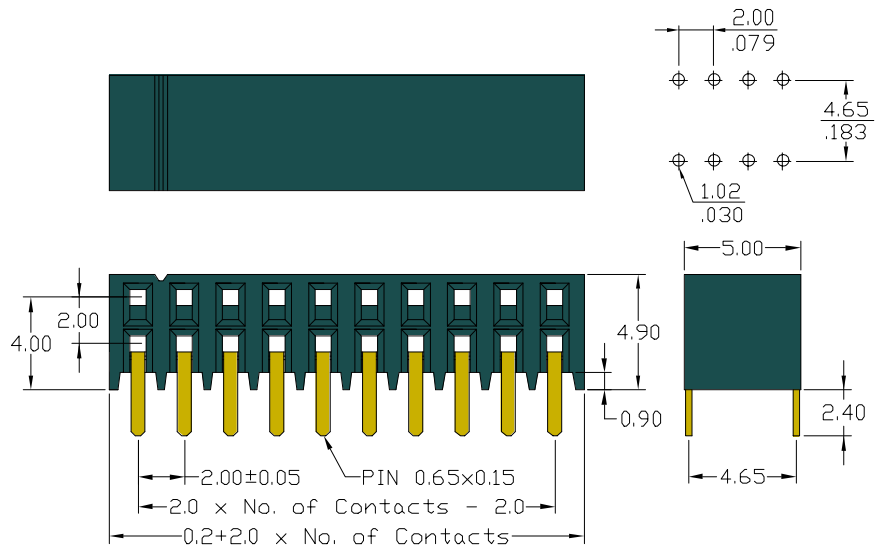
## Female Header, Side Entry



### SPECIFICATIONS

Current Rating:  
 2 Amps  
 Voltage Rating:  
 125V  
 Insulator resistance:  
 3000 Megohms Min.  
 Contact Resistance:  
 20m ohms Max  
 Dielectric withstanding:  
 AC 500 V  
 Operating Temperature:  
 -40° C - +105° C  
 Contact Material:  
 Phosphor Bronze  
 Insulator Material:  
 Nylon-6T UL 94V-0  
 Color:Black  
 Finish:  
 Gold flash

### Recommended P.C.Board Hole Layout



N 8 2 5 2 - X X C 1 0 X - 0 1 X

**Insulator material**  
 N: Nylon-6T  
 B: PBT  
 L: LCP  
 D: NY66

**Row of pin**  
 1: single row  
 2: dual row

**Number of Contact**

**Appearance of pin header**  
 S10: Straight  
 D10: Right angle  
 C10: Side entry

Color

**Plating material**  
 G Gold Plated  
 T Tin Plated  
 H Duplex Plated

**Plating thickness**  
 01 Normal  
 08 8u"  
 15 15u"