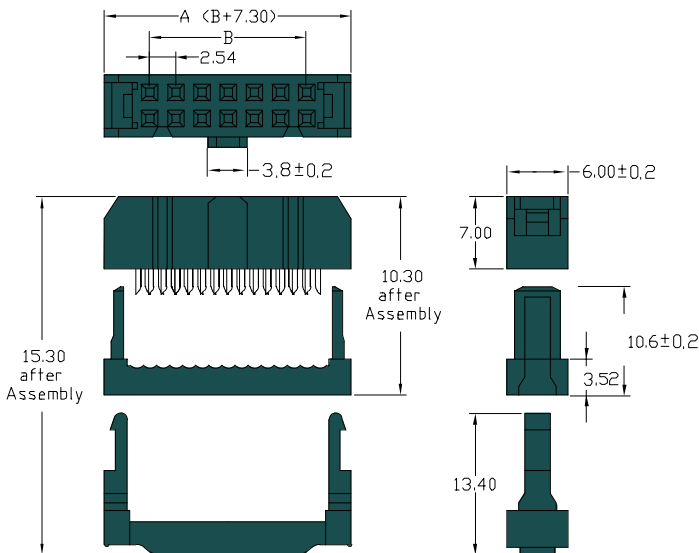
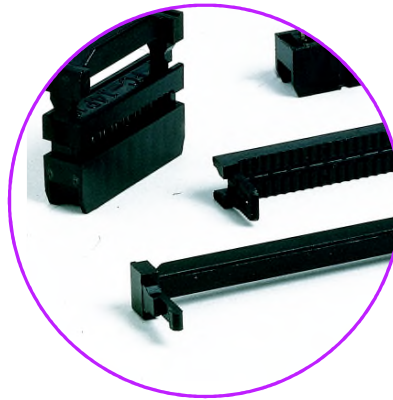


Other connectors Series

2.54mm , IDC Socket



SPECIFICATIONS

1.MATERIAL:

- *INSULATOR:PBT UL 94V-0 COLOR:BLACK
- *CONTACT:BRASS OR PHOSPHOR BRONZE
- *PLATING: Gold over Nickel OR TIN

2.ELECTRICAL:

- *CURRENT RATING: 1 AMP
- *INSULATOR RESISTANCE: 1000 Megohms MIN.
- *CONTACT RESISTANCE: 20 m ohms MAX.
- *DIELECTRIC WITHSTANDING: AC 500 V

3.ENVIRONMENTAL:

- *TEMPERATURE RANGE: -55°C TO +105°C

B 6 9 0 0 - x x S 1 0 - 0 1 T

0 - Socket

Number of contacts
08P,10P,12P,14P,16P
20P,24P,26P,28P,30P
34P,40P,50P,64P

Plating thickness

01 Normal

Plating material

1T Tin plated