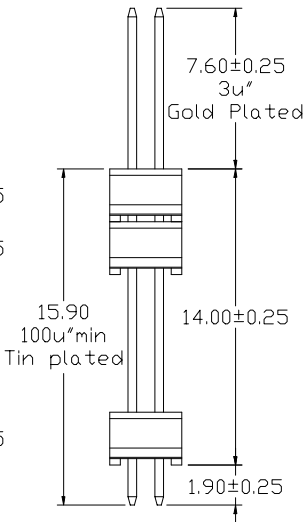
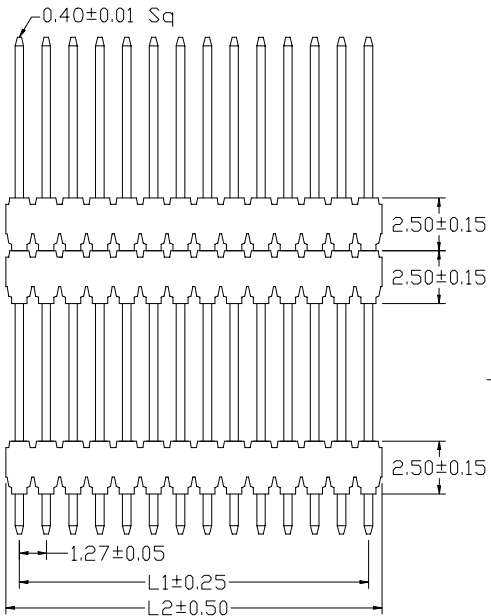
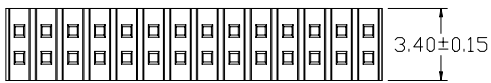
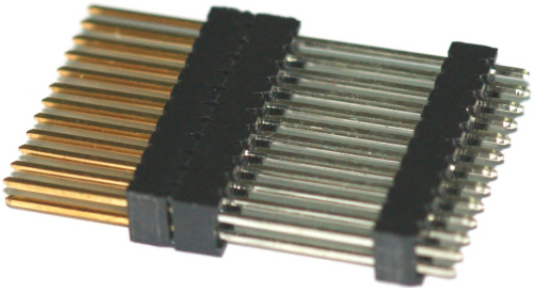


1.27 Series

Pin Header



SPECIFICATIONS

- Current Rating:
1 Amps
- Insulator resistance:
1000 Megohms Min.
- Dielectric withstanding:
AC 500 V
- Operating Temperature:
-40i6 - +105i6
- Contact Material:
Brass
- Insulator Material:
Nylon-6T UL94V-0
Color:Black
- Finish:
03u" Gold plated
100u"min. Tin plated
over 35-70u" Nickel

