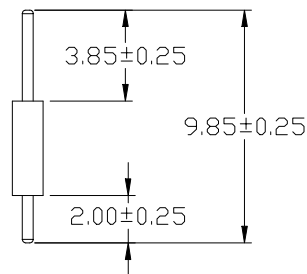
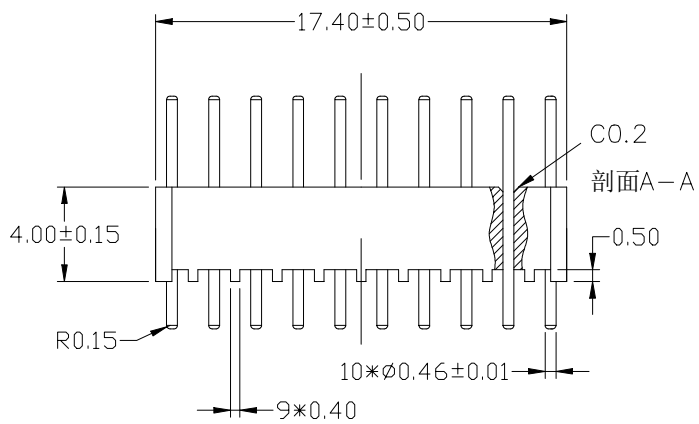
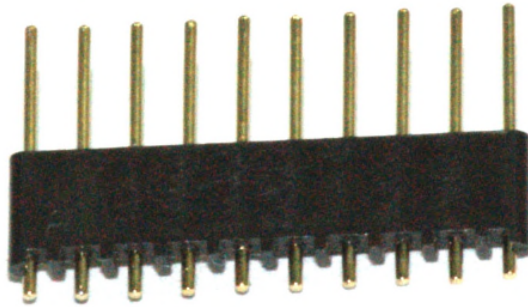


# 1.78 Series

## Pin Header



### SPECIFICATIONS

- Current Rating: 1.5 Amps
- Insulator resistance: 1000 Megohms Min.
- Dielectric withstanding: AC 500 V
- Operating Temperature: -40°C - +105°C
- Contact Material: PHOSPHOR BRONZE
- Insulator Material: NYLON-6T UL94V-0
- Color: Black
- Finish: Gold Flash

