

# Battery Socket

## SPECIFICATIONS

Current & Voltage Rating:

PIN: 3Amp 230V

Switching: 5Amp 230V

Insulator resistance:

PIN: 5000 Megohms Min.

Switching: 1000 Megohms Min.

Contact Resistance:

20 m ohms Max.

Dielectric withstanding:

AC 500V/minute

Operating Temperature:

-40 ~ +105 ~ C

Contact Material:

1-4 PIN Brass

5-6 PIN Phosphor Bronze

Insulator Material:

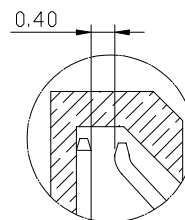
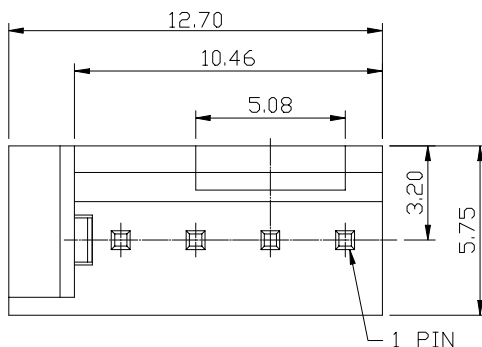
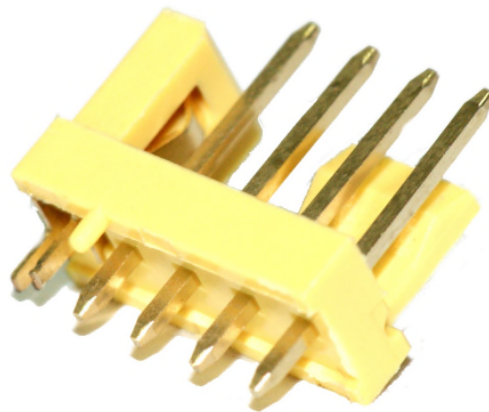
NY-66 +30%G.F. UL94V-0

Standard Color:

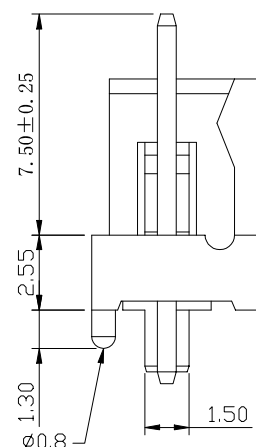
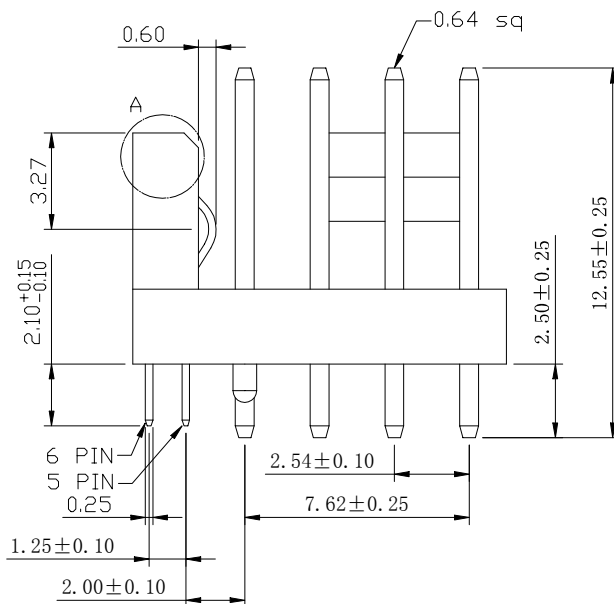
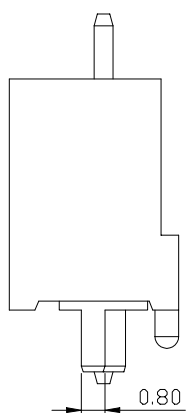
Cornsilk Pantone 13-0932 tpx/C

Finish:

0.5µ"min. Gold plated  
over 30-60µ" Nickel



局部放大剖视图 A



W 1 1 6 3 - 0 6 S 1 0 X - 0 1 X

Number of Contact

Color

**Appearance of pin header**

S10: Straight  
D10: Right angle  
M00:SMT

**Plating material**  
G Gold Plated  
T Tin Plated  
H Duplex Plated

**Plating thickness**  
01 Normal  
04 4µ"  
30 30µ"